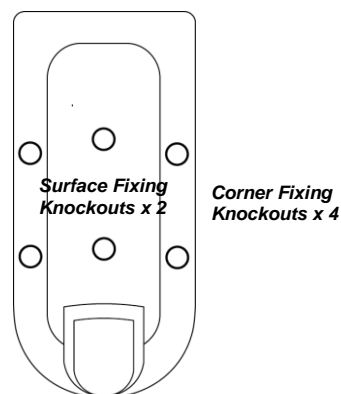
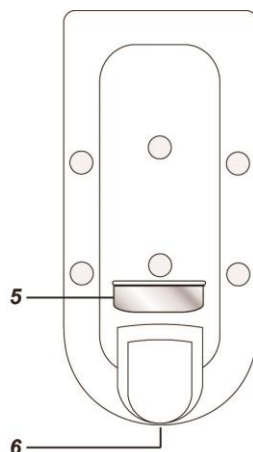
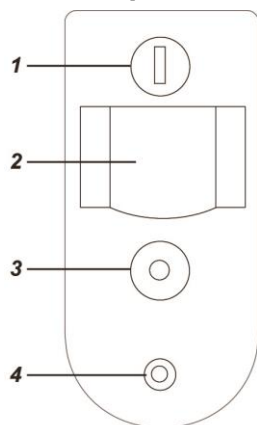


# Wireless PIR Camera (IRC-S2)



## Parts Description

### 1. Blue LED /Learn Button

### 2. IR Sensor

### 3. LED Flash

The LED Flash delivers sufficient light for image capture in low lighting condition.

### 4. PIR Camera Lens

### 5. Battery Insulator

Pull out the insulator to activate battery.

### 6. Bottom Screw (Tamper Switch)

The Tamper switch protects the PIR Camera from unauthorized cover opening and is depressed by bottom screw. When the screw is loosened, the tamper switch will be activate.

## Package Content

1 x PIR Camera

4 x wall plugs and screws

2 x 1.5V AA alkaline batteries (Pre-inserted)

## Learning

The PIR Camera can only be learnt into Control Panel within 3 minutes after powering on. If it has been powered on for more than 3 minutes, remove and reinsert batteries to repower on the PIR Camera.

1. Put the Control Panel into learning model.
2. Press and hold the learn button on PIR Camera for 10 seconds until both LED Flash and Blue LED flash once, then release the button to transmit a learn code.
3. Wait for a short time for PIR Camera to connect to panel. If the camera is successfully learnt in, the Blue LED will flash twice to indicate. The panel will also display PIR Camera info. Refer to panel manual to complete learning.
4. If the PIR Camera and Control do not respond after a short time (about 20~30 seconds), restart from step 2 to press and hold the button again.

After learning has been completed, Do **NOT** press and hold the learn button for 10 seconds again within 3 minutes after power on, otherwise the PIR Camera will disconnect from panel and must be relearnt again.

## Installation

### Mounting

- The PIR camera designed to be mounted on either a flat surface or in a corner with fixing screws and plugs provided.
- The base has knockouts where the plastic is thinner and can be broken through for mounting. 2 in the center for surface mounting and 4 on the sides for corner mounting.

1. Remove the cover.
2. For surface mounting, break through the 2 knockouts at the center of base.  
For corner mounting, break through the 4 knockouts on the corner of PIR camera
3. Use the holes as template to drill holes in the wall.
4. Insert the wall plugs if fixing it into plaster or brick.
5. Screw the base into the wall plugs.
6. Screw the cover back onto its base.

## Operation

### Motion Detection

The PIR Camera is designed to detect movement in protected area. Upon movement detection, the PIR reports to the Control Panel for an alarm activation and captures 3 images at the same time. The images are transferred to the Control Panel to send to programmed destinations for user to view.

### Warm Up Period

When the Control Panel enters arm mode, or PIR Camera is put into Test Mode, the PIR Camera will warm up for 30 seconds. Do not trigger the PIR Camera during the 30 seconds warm up period. If the PIR Camera is under low battery or tamper opened condition, the Blue LED will light up during the warm up period.

### Battery

The PIR Camera uses two 1.5V AA Alkaline batteries as its power source. Remove the battery insulator to activate battery. It also features low battery detection function to notify the Control Panel when battery voltage is low.

When the PIR camera is low on battery, follow the procedure below to change the batteries.

1. Open the PIR camera back cover.
2. Remove the old batteries.
3. Press the tamper switch several times to fully discharge.
4. Insert the new batteries and replace the PIR Camera back cover.

### **Battery Saving Guideline**

The PIR Camera is wirelessly connected with the Control Panel at all time. When the PIR Camera loses connection with the Control Panel, it will actively search for the Control Panel, which will consume extra power and greatly reduces battery life. In order to avoid unnecessary power consumption, please follow the guidelines below:

1. Ensure the Control Panel is powered on before removing the battery insulator. Always learn in the PIR Camera immediately after activating the battery.
2. Ensure the Control Panel is powered on and within signal range when the PIR Camera is powered on.
3. When you removed the PIR Camera from the Control Panel, make sure to remove the batteries from the PIR Camera too.

### **Test Mode**

The test mode function allows you to check the PIR camera's detection range. Press and hold the Learn button over 3 seconds, then release the button to enter the Test mode for 5 minutes.

The PIR Camera will first warm up for 30 seconds, do not trigger the PIR camera during this warm up period. After the warm up is complete, you could trigger PIR camera to check its detection range. If PIR camera is triggered, the Blue LED will light up to indicate.

For signal range test, please refer to the control panel manual.

### **LED Indicator**

Off	Normal Operation
On (2 seconds)	Movement detection under low battery, tamper triggered condition, or Test mode.
On (30 seconds)	PIR Camera is warming up under low battery or tamper triggered condition
Flash Rapidly	PIR Camera is transferring image under low battery or tamper triggered condition.
Flash Once	PIR Camera sends a learn code
Flash Twice	PIR Camera is learnt into Control Panel
Flash every 20 minutes	PIR Camera has lost signal connection with the Control Panel.

## **Specification**

### **Environmental Condition**

-10°C to 40°C, relative humidity 85% non-condensing.

### **Radio**

2.4 GHz